



ROTATION ASSEMBLY EXCHANGE PROGRAM FOR A DROP IN REPLACEMENT

To reduce system down time and the cost to repair or replace a Rotation Assembly (263-14136-00) on the EpiPro 5000 tool, THERMCO-EPITAXY offers the Rotation Assembly Exchange Program.

Exchange Program participants will receive a Rotation Assembly that has been refurbished by the THERMCO-EPITAXY factory.

- THERMCO-EPITAXY will stock a refurbished Rotation Assembly, which will be shipped immediately upon placement of a purchase order.
- The system owner removes the worn Rotation Assembly and installs the refurbished assembly.
- The system owner has 30-60 days to clean and return the worn assembly to THERMCO-EPITAXY for inspection. The customer will be invoiced if the old assembly is not returned.
- If the inspection finds the returned Rotation Assembly is damaged beyond normal wear and tear and requires repair, then the customer will be notified and billed.
- THERMCO-EPITAXY will refurbish and test the returned assembly and make it ready for the next order.

BENEFITS OF PARTICIPATING IN THE EXCHANGE PROGRAM:

- System owners can plan preventative maintenance schedules to pro actively reduce unscheduled downtime resulting from failures
- Reduced cost of acquiring a certified rotation assembly that has been factory refurbished and tested.
- A factory refurbished rotation assembly eliminates the cost of labour and system downtime of making repairs in-house.
- A factory provided rotation assembly will be a drop-in replacement for the worn part.
- A reduced risk of long system downtime if replacement parts are not in stock or the Rotation Assembly does not operate correctly if refurbished in-house.
- Participation in the program helps us plan our inventory and manage costs.

Thermco Systems have thermal process tools designed with your emerging technologies in mind

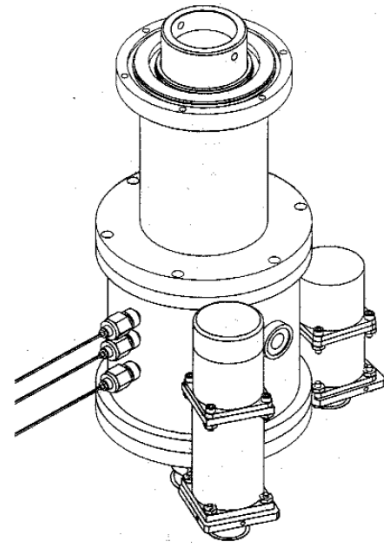
IMPROVED RELIABILITY & REDUCED OPERATING COST

The correct operation of the Rotation Assembly is critical for smooth susceptor rotation during wafer processing to ensure uniformity of results. Installing a Rotation Assembly that has been inspected and refurbished by the THERMCO-EPITAXY factory offers confidence that it will have optimal performance resulting in high uptime.



With the Exchange Program, the replacement of the Rotation Assembly can be scheduled into a planned maintenance routine to avoid unscheduled system downtime for repairs.

The THERMCO-EPITAXY three-month warranty on workmanship and materials provides confidence in reliable Rotation Assembly performance.



Each Rotation Assembly is completely disassembled and refurbished at the THERMCO-EPITAXY factory.

Each component is inspected, worn parts are replaced and it is then re-assembled and tested to the original factory specifications before it is then made available for the Exchange Program.



CONTACT US

To upgrade or replace your pyrometer, contact Thermco Epitaxy at sales@thermco-epitaxy.com



Thermco Systems is a market leading manufacturer of Semiconductor Production Equipment (SPE).

+44 (0) 1903 891700
info@thermcosystems.com
www.thermcosystems.com
www.thermco-epitaxy.com

Spring Gardens,
Washington, West Sussex,
RH20 3BS, UK